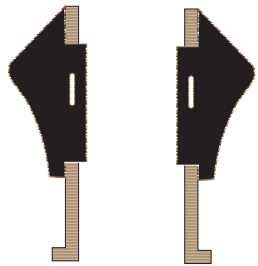


# OVANO SIDE SUPPORTS INSTALLATION

## TOOLS REQUIRED

5.5mm diameter drill bit  
H4 hex bit  
Handheld drill

## INCLUDED IN KIT



2 x Switch Supports



2 x M6 50mm bolts

## POSITION

Above wheel arch on middle section of side M panels of the Ovano Switch.



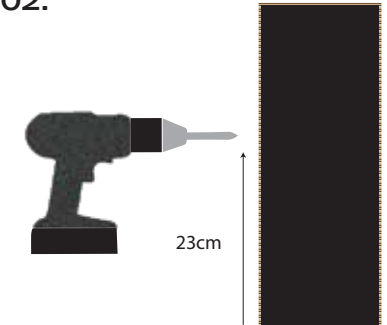
## ASSEMBLY

01.



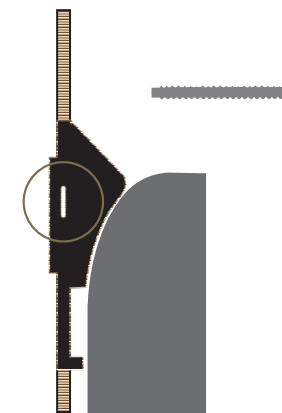
Measure and mark 23cm from the base of the unit on the front of the middle arch on both sides of your Ovano Switch. (This will be positioned next to the rear of your wheel arches.)

02.



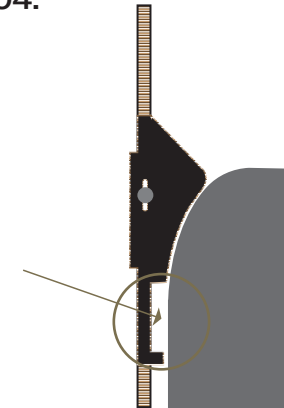
Using a 5.5mm drill piece, drill a 50mm hole into the front of the middle arch.

03.



Position the side support adjustable slot over the hole in the Switch and align with your wheel arch. Then secure the 50mm screw using your drill.

04.



Now your sides supports are in place, enjoy a rattle free secure unit! Your Switch legs can be stowed in the slot shown when not in use.